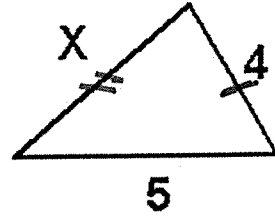
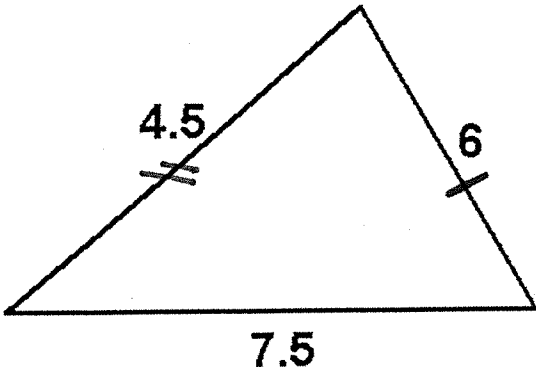


Name: ~~Key~~



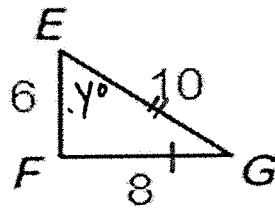
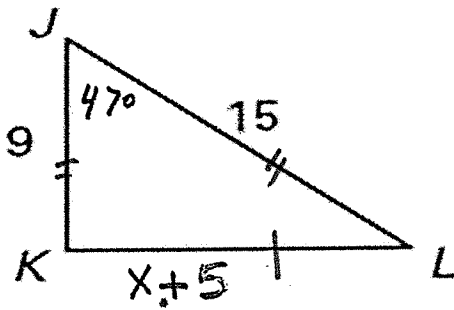
Solve for x:

~~$$\frac{6}{4} = \frac{4.5}{x}$$~~

$$\frac{7.5}{5} = \frac{4.5}{x} ; \frac{x}{4.5} = \frac{4}{6}$$

$$\frac{6x}{6} = \frac{18}{6} \quad \boxed{x = 3}$$

2)



Solve for x and y:

$$\boxed{y^\circ = 47^\circ} \text{ Same angles.}$$

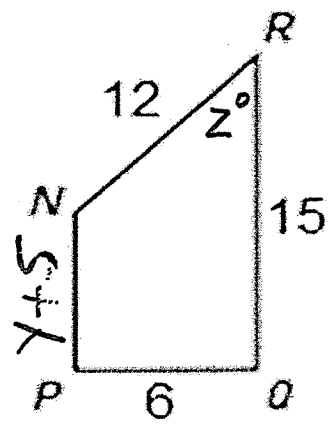
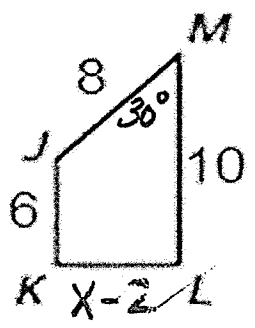
~~$$\frac{x+5}{8} = \frac{15}{10}$$~~

$$\frac{9}{6} = \frac{x+5}{8} ; \frac{6}{9} = \frac{8}{x+5}$$

$$\begin{array}{r} 10x + 50 = 120 \\ -50 \quad -50 \\ \hline 10x = 70 \\ \frac{10x}{10} = \frac{70}{10} \end{array}$$

$$\boxed{x = 7}$$

3)



Find x , y , and z :

$Z = 30^\circ$ → Angles are Congruent

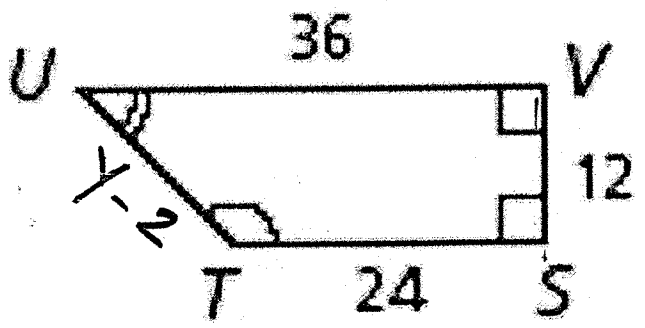
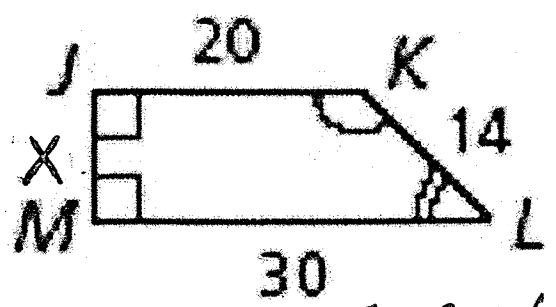
~~$$\frac{Y+5}{6} = \frac{15}{10}$$~~

$$\begin{aligned} 10Y + 50 &= 90 \\ -50 &-50 \\ \hline Y &= 4 \end{aligned}$$

$$\frac{X-2}{6} = \frac{10}{15}$$

$$\begin{aligned} 15X - 30 &= 60 \\ X &= 6 \end{aligned}$$

4) Find x and y



~~$$\frac{Y-2}{14} = \frac{36}{30}$$~~

$$30y - 60 = 504$$

$$Y = 18.8$$

$$\frac{X}{12} = \frac{30}{36}$$

$$\begin{aligned} \frac{36X}{36} &= \frac{360}{36} \\ X &= 10 \end{aligned}$$