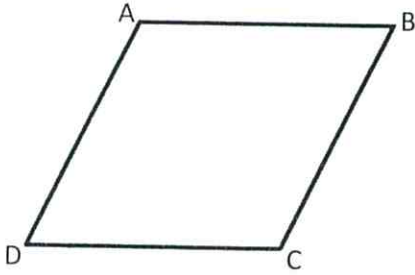


- 1) The $m\angle ABC = 2x + 11$ & the $m\angle BCD = 3x + 4$. Solve for x and then find $m\angle ABC$.

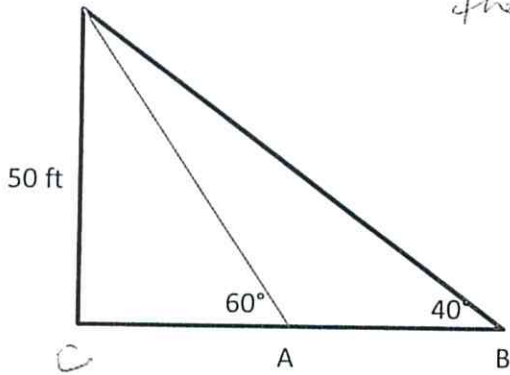


- 2) What does bisect mean?

- 3) A square baseball field has a length of 50 ft from Home base to 1st base. How far is 1st from 3rd?

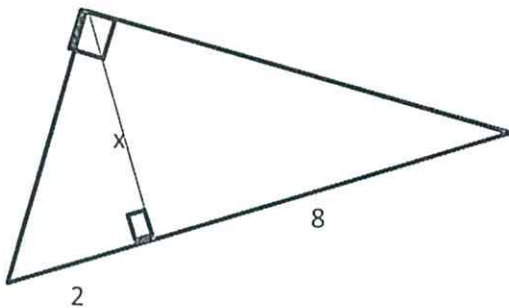
- 4) Find the distance from A to B.

Hint: first find AC, then find BC, AB can then be found by _____

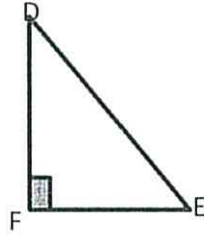
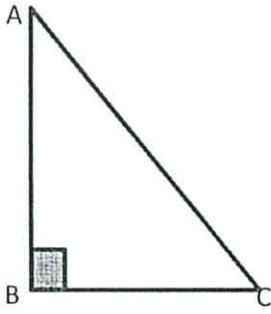


- 5) True or False: $5\frac{2}{3} = 5.666667$

- 6) Solve for x .



7) Given that the $\sin A = 7/25$

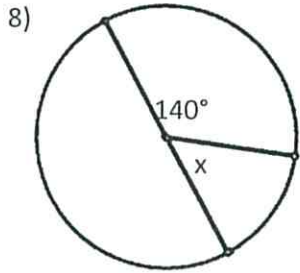


Find

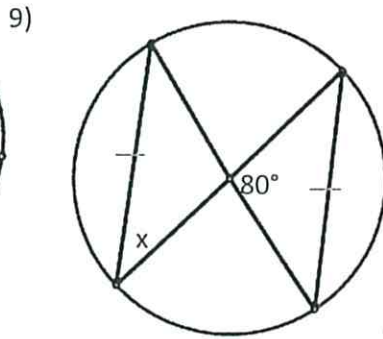
$\cos A =$

$\sin D =$

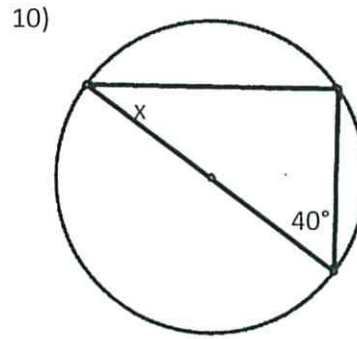
$\tan E =$



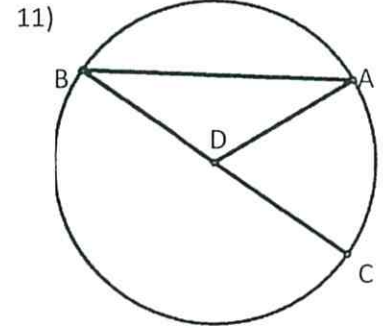
$x =$ _____



$x =$ _____



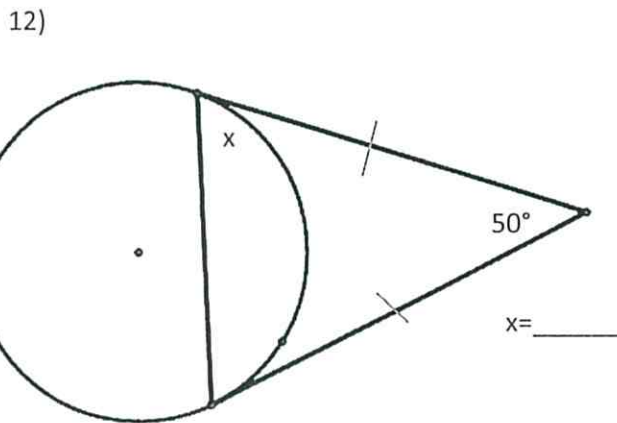
$x =$ _____



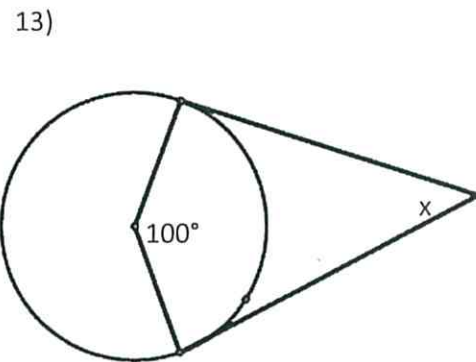
Arc $AB = 150^\circ$

$m\angle ABC =$ _____

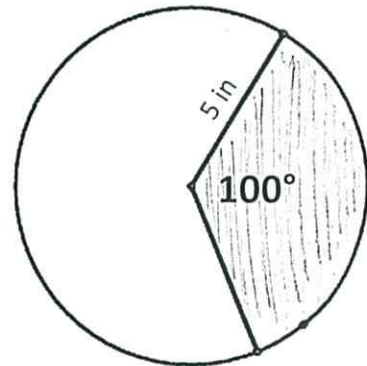
$m\angle ADC =$ _____



$x =$ _____



14) Find the area of the shaded region. Use the formula $A = \frac{\theta}{360} \pi r^2$



15) To convert from ft^2 to yd^2 just divide by _____.

